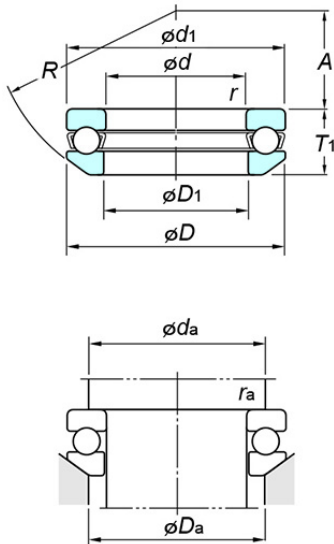


Thrust ball bearings - Single direction - With spherical back face



Bearing No. 53201

Specifications

(Boundary dimensions ...etc)

d(mm)	12
D(mm)	28
T(mm)	11.4
r(min.)(mm)	0.6
Basic load ratings Ca(kN)	16.5
Basic load ratings C0a(kN)	19.0
Fatigue load limit : Cu(kN)	0.860
Limiting speeds(Grease lub.)(min-1)	5400
Limiting speeds(Oil lub.)(min-1)	8300
d1(max.)(mm)	28
D1(min.)(mm)	14
D2(mm)	-
D3(mm)	-
A(mm)	11.5
R(mm)	25
C(mm)	-

Mounting dimensions

da(min.)(mm)	22
Da(max.)(mm)	18
ra(max.)(mm)	0.6

Refer.

(Refer.)Mass(kg)	0.031
------------------	-------